



Image for demonstration purposes


Generating Set
SUPERSILENT - Diesel

GE.DW.710/640.SS+011

1500 rpm - Threephase - 50Hz - 400V
 Automatic panel without switching on board



Standard equipment

Canopy Soundproofing

Soundproofing with class 1 polyester material
 Handles with key lock and automatic closing
 Special baffles for air intake and air expulsion
 Inspection doors for controls and maintenance

Exhaust

Exhaust rain cap
 Exhaust manifold protection
 Insulated exhaust pipes
 Internal residential muffler - 35dB(A)

Fuel Supply

Single wall daily tank with bunded base
 Automatic shutdown system for low fuel level
 Fuel gauge

Handling

n.2 lifting hooks integrated into the bearing structure

Base Frame

Bunded base at 110% of fuel tank capacity
 Anti-vibrating mounting pads
 Battery compartment externally accessible for easy service

Engine

Engine pre-heater 230V
 High coolant temperature and low oil pressure shutdown system
 Oil pressure and coolant temperature gauge (only with QPE or +14 variant)
 External oil drain points
 Engine liquids (oil and antifreeze)
 Rotating parts protection
 Electronic speed governor
 Radiator level sensor

Alternator

AVR Automatic Voltage Regulator
 AVR Pre-arranged for parallel
 Impregnation for marine environment
 IP23

Panel & connection

Emergency Stop button
 Magnetothermal circuit breaker on alternator board
 Tamperproof panel IP55
 Cable output from side
 IP44 wiring
 Start-up battery (pre-charged)
 Grounding point

Documentation

CE conformity declaration
 User and Maintenance manual
 Wirings diagrams

Normatives

All Generating sets are compliant to CE Marking
 2014/30/UE Electromagnetic compatibility
 2000/14/CE Noise Emission for outdoor use
 Factory-designed systems built according to ISO 9001:2015
 CEI EN 60204-1:2018 - Electrical equipment of machines

Primary data

General Information

| | | |
|---------------------------------|-----|---------|
| Speed | RPM | 1500 |
| Frequency | Hz | 50 |
| PRP | KVA | 640 |
| PRP - Prime power | KW | 512,0 |
| LTP - Standby power | KVA | 710 |
| LTP - Standby power | KW | 568,0 |
| Standard Voltage | V | 400/230 |
| Current | A | 924,86 |
| Voltage for current calculation | V | 400 |
| COSFI | 0,8 | 0,8 |

General electrical protection

| | | |
|-------------------------------|---|------|
| Circuit-breaker rated current | A | 1000 |
| Type | Magnetothermal switch on the alternator board | |
| Circuit-breaker poles | N | 4P |

Noise level +/- 3dB(A)

| | | |
|-----------------------------|-------|----|
| LWA | dB(A) | 97 |
| Sound pressure level @ 7 mt | dB(A) | 72 |
| Sound pressure level @ 1 mt | dB(A) | 81 |

Fuel Consumption

| TYPE | | Diesel |
|-------------------------------|------|--------|
| Standard Fuel Tank capacity | lt | 1150 |
| Autonomy @ 75% load | h | 12 |
| Fuel consumption at 100% load | lt/h | 136,4 |
| Fuel consumption at 75% load | lt/h | 103,8 |
| Fuel consumption at 50% load | lt/h | 71,2 |

General data

| | | |
|-------------------------|------|-------|
| Rated capacity | Ah | 2x180 |
| Auxiliary Voltage | V | 24 |
| Exhaust gas temperature | °C | 563 |
| Exhaust gas flow | l/s | 1783 |
| Combustion air flow | l/s | 556 |
| Cooling fan airflow | mc/s | 11,6 |
| Exhaust diameter | mm | 200 |
| Exhaust side | | DX |

Weight and Dimensions

| | | |
|--|------------|-------------|
| Dimensions (L x w x h) | cm | 470x180x250 |
| Weight with liquids (excluding optionals and fuel) | Kg (+/-3%) | 5850 |

Engine

| | | |
|------------------------|------|--|
| Factory | | Doosan |
| Model | | DP180LBF |
| Emissions stage | | Stage 0 |
| Speed governor | | Electronic |
| Radiator | °C | 43 |
| Cooling | Tipo | liquid (water + 50% Parafllu11) |
| Active net power | Kwm | 540 |
| Nominal net power | CV | 733,7 |
| Cycle | Tipo | 4 strokes |
| Injection | Tipo | Direct |
| Aspiration | Tipo | Turbo |
| Numbers of cylinders | N | 10 |
| Cylinders arrangement | | V |
| Bore | mm | 128 |
| Stroke | mm | 142 |
| Total displacement | lt | 18,263 |
| Engine oil features | | 15W40-API CI-4/CH-4 ACEA E5-E7 |
| Total oil capacity | lt | 34 |
| Total coolant capacity | lt | 91 |
| ISO 8528-5 class | | G2 |

The emission levels of the exhaust gas are indicated in the engine technical datasheet. Any changes due to more restrictive regulatory adjustments are excluded.

Alternator

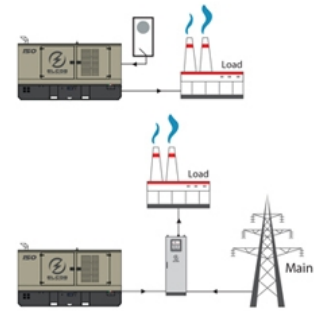
* May vary based on stock availability. However, a primary brand will be used.

| | | |
|--------------------------------------|-------|------------------------------|
| Factory | | Stamford |
| Model | | HCI544F |
| Single-phase Range | KVA | 670 |
| Voltage Regulator (voltage accuracy) | +/- % | 1 |
| Poles | N° | 4 |
| Phases | N° | 3+N |
| Standard windings connection | | Star Series |
| Stator/rotor impregnation | | H (Outdoor Temp 40°C) |
| Efficiency | % | 95 |
| Engine coupling | | Elastic disk |
| Short circuit current | | >= 300% (3In) |
| Protection degree | IP | 23 |
| Cooling system | | Self ventilating |
| Maxium overspeed | rpm | 2250 |
| Waveform distortion | % | <5 |
| Exciter | | Diode bridge |

Standard operating environmental conditions

| | | |
|---------------------|----|-------------|
| Ambient temperature | °C | 25 |
| Relative Humidity | % | 30 |
| Max altitude | mt | 1000 |

Control Systems on board QPE-C-SC-3F-V1



operating scheme - schema di funzionamento

QPE Automatic panel without switching on board

The QPE-C control panel represents the evolution of the panel for the control and management of the gen set. With its microprocessor logic it is able to meet any user requested features. The dual operation mode manual and automatic guarantees to every type of functionality protection, analysis and control of the generating set in order to make the management easy and efficient. Variant without transfer switch on board. ATS panel type QC as optional. The panel manages the QC panels directly or any other ATS panel.

Mechanical features

| | | |
|-------------------|----|----|
| Protection degree | IP | 55 |
|-------------------|----|----|

Battery charger

| | | |
|--------------------------------|-----|-------------|
| Model | | ELCOS - CB1 |
| Maximum output current | A | 2,5 |
| Output DC voltage (selectable) | Vdc | 12-24 |
| Input AC voltage (selectable) | Vac | 220-260 |
| Frequency | Hz | 50-60 |

Data Communication

| | |
|------------------------|-----------------|
| Data connection port | RS-485 |
| Communication protocol | Mod-bus RTU-8N1 |

Remotable functions in terminal box

| | |
|--|--|
| GS start | GS lock |
| Genset contactor close/open command (1) | Mains contactor close/open command (2) |
| Common Alarm - DC output | GS test without load |
| GS start with key in OFF position (Only in MRS mode) | Programmable output - Volt free output |

Control Module



| | |
|----------------|------------------|
| Model | MC4 |
| Operating mode | AMF - MRS |

Specifics

Applications

Emergency to the Mains
Stand-alone
Construction site/Rental
Self-production

ENGINE MEASURES

Fuel tank level %
Engine oil pressure BAR (1)
Engine Coolant temperature °C (1)
Total run time
Partial run time
Hours to maintenance
Battery voltage
Battery charging voltage
Start-ups counter
Engine speed (2)
Engine Oil temperature (2)
Cooler temperature (2)
Engine oil level (2)
Engine coolant level (2)
Engine coolant pressure (2)
Turbo pressure (2)
Fuel Consumption (2)
Tank autonomy - hrs (5)
Fuel remaining quantity (5)
Fuel used quantity (5)

ALTERNATOR MEASURES

Generator Voltage L1, L2, L3
Generator Voltage L1-N, L2-N, L3-N
Generator frequency
Generator current L1, L2, L3
Generator Apparent Power kVA
Generator Active Power kW
Generator Reactive Power kVAR
Generator accumulated power kWh
Power factor Cosφ

MAINS MEASURES

Mains voltage L1, L2, L3
Mains voltage L1-N, L2-N, L3-N
Mains frequency

COMMUNICATION PORTS

Can-bus port
RS485 port with Mod-bus RTU communication
RS232 port for display connection
USB port for parameters saving and firmware update

EQUIPMENT

Microprocessor Logic
Back-lit display
Programmable from display
16 event log
Multiple display languages
STOP button
START button
TEST button
Reset alarm button
Alarm mute button
Fuel transfer pump activation button
Glow-plug activation button

PRE-ALARMS/ ALARMS

Common Alarm
Fuel reserve (pre-alarm)
Low fuel level (alarm)
Tank overflow
Charge alternator failed (dinamo)
Low oil pressure (pre-alarm) (1)
Low oil pressure (alarm)
Oil sensor failed (alarm)
High coolant temperature (pre-alarm) (1)
High coolant temperature (alarm)
Low coolant temperature (pre-alarm)
Low water level (1)
Water in fuel (1)
Battery undervoltage
Battery overvoltage
GS failure to start
GS failure to stop
Can-bus Failure
No Can-bus communication
Genset overload L1, L2, L3 phases
Genset short circuit
Genset overvoltage
Genset undervoltage
Genset high frequency
Genset low frequency
overspeed
Reverse power
Earth fault (pre-alarm)
Earth fault (alarm)
Block from password
CAN communication Failed
Maintenance request
Emergency button pressed
Remote emergency active
Forced stop
External battery failed
Fuel theft
Genset negative phase sequence
Mains negative phase sequence
Fuel theft protection

VISUALIZATIONS ON CONTROL MODULE/DISPLAY

Pre-alarms
Alarms
Engine measures
Alternator measures
Mains measures
Date and time
Operating mode
Genset status
Mains status
Mains contactor status
Genset contactor status
Digital Input and Output status
Grounding current mA (3)
Grounding current threshold mA (3)
Delay time of differential protection (3)
Glow plugs status

CONTROL MODULE FUNCTIONS

Automatic start and stop when the Mains Fails (7)
Remote Start and Stop
Remote Start and Stop with key in OFF position
Manual Start and stop
Emergency stop button on panel board
Remote emergency stop
Remote lock
Remote test without load
Remote test on load
Scheduled start-ups
MODBUS commands (Start, Stop, Reset, Test)

CONTROL MODULE SPECIAL FUNCTIONS (on demand)

Automatic charging of an external battery
Dummy load (4)
Load shedding (4)
Redundant starter motor management
Fuel monitoring
GS battery Load test
Idle mode
Service phone number indication
Variable speed Generator
Master / Slave mode

- (1) Present with the sensor installed on engine
(2) Present according to the engine equipment and to the ECU type (ECU - Canbus)
(3) Present only with the residual current device mounted on genset board
(4) Present with optional expansion modules
(5) Present with special function activated
(6) Only with the optional of the automatic fuel refilling system on board
(7) Only in AMF mode

OPTIONAL

Fuel Supply

| | | |
|--|------------------------------|---|
|  | O.G-ACO-AT-C3V-02 | External fuel tank connections with 3-way valve for supply from internal or external tank (130/700 kVA) |
|  | O.G-ACO-AT-C3V-AR-02 | Quick coupling connectors with 3-way valve for internal or external fuel tank connection (130/700 kVA) |
|  | O.G-ACO-AT-CI-02 | External tank connections for supply only from external tank (g without tank) GE 130/700 |
| | O.G-ACO-BT-C4700-1900 | 1900 Lt Oversized Fuel Tank on board for SS (450/700 kVA), (Increased weight and size) |
| | O.G-ACO-BT-C4700-2500 | 2500 Lt Oversized Fuel Tank on board for SS, RB (450/700 kVA) |
|  | O.G-ACO-GA-01 | Mechanical analogue float for internal fuel tank on board |
|  | O.G-ACO-GA-02 | Electrical analogue float to monitor the external refilling point on board |
|  | O.G-ACO-RE-02 | External refilling point for Gen Sets 275/400 kVA, SS, RB versions |
|  | O.G-ACO-RE-SP-02 | External refilling point with warning light for Gen Sets 275/800 kVA, SS, RB versions |
|  | O.G-ACO-ST-2P | Double redundant electric pump kit for automatic fuel refilling system |
|  | O.G-ACO-ST-BG-ES1 | "Easy" automatic fuel refilling system on board, controlled by QPE-C and QLE-B panels |
| | O.G-ACO-ST-BG-HDT | "Heavy Duty" automatic fuel refilling system on board, controlled by QPE-C and QLE-B panels |
|  | O.G-ACO-ST-BG-STD | "Standard" automatic fuel refilling system on board, controlled by QPE-C and QLE-B panels |
|  Alternator | O.G-ALT-AL-CHBR-05 | Different brand alternator 450/700 kVA (Check dimensions) |
|  | O.G-ALT-AL-COTE-01 | Temperature control unit up to 4 x PT100 probes for MC4 management |
| | O.G-ALT-ST-ACO-01 | Anti-condensation heater 230 V (on Stamford from 80 to 2000 kVA) |
|  | O.G-ALT-ST-AVR-MX321 | Stamford MX321 automatic voltage regulator with PMG (Check dimensions) |
|  | O.G-ALT-ST-AVR-MX341 | Stamford MX341 automatic voltage regulator with PMG (Check dimensions) |



O.G-ALT-ST-PT100-1CU 1 x PT100 probe on bearing (80/3000 kVA)



O.G-ALT-ST-PT100-3AV nr. 3 RTD-PT100 probes on stator windings (80/3000 kVA)



O.G-ALT-ST-PT100-6AV nr. 3+3 RTD-PT100 probes on stator windings (80/3000 kVA)



O.G-ALT-ST-RIGU-01 Diode Failure Detector (DFD) mounted on the alternator. Alarm contact available into the panel

Batteries



O.G-BAT-BAE-05 Maintenance free high efficiency starter batteries (450/700 kVA)



O.G-BAT-BNC-05 24Vdc NiCd starter batteries (450/700 kVA)



O.G-BAT-DOB-04 Redundant battery kit for Gen Sets 450/700 kVA



O.G-BAT-STB-02 Battery isolator lockable(130/700 kVA)

Canopy



O.G-COF-ANTI-RIL-01 Fire detection kit for 20'/20' HC container, for machine room

O.G-COF-ANTI-VALV-01 Firewatchman thermal fuel cut off valve kit for immediate cutoff of the diesel flow in case of fire inside the canopy. Suitable only for stationary SS units from 300 to 750KVA



O.G-COF-AP-01 Door opening alarm system (each door)

O.G-COF-C4700-INOX Additional cost for stainless steel canopy (C4700)



O.G-COF-CA-C4700 IP 43 Conveyors for Gen Sets 450/700 kVA - supplied disassembled



O.G-COF-DI-C4700 Double soundproofing -2 dBA at 7 mt. (450/700kVA) including IP43 conveyors (provided disassembled)



O.G-COF-DLO-C4700-120KW Dummy Load 120kW on board for Gen Sets 450/700 kVA



O.G-COF-EAF-07 Frontal air expulsion for Gen Sets 450/700 kVA (C4700) - (change the noise level)

Энергоконтинент

| | | |
|---|---------------------------------|--|
|  | O.G-COF-FP-02 | Door stop (130/1000 kVA) |
|  | O.G-COF-IL-02 | Internal LED lighting with micro-switches for Gen Sets 275/700 kVA |
| | O.G-COF-TRT-MAR-05 | High resistance canopy treatment for corrosive environments for 450/700 kVA (SS, RB Versions) |
|  | O.G-COF-VER-PAR-05 | Canopy custom paint (Grey base-frame) for 450/700 kVA (SS, RB Versions) |
|  | O.G-COF-VER-TOT-05 | Total canopy custom paint for 450/700 kVA (SS, RB Versions) |
| ⚙️ Electrical on board | | |
| | O.G-USP-AR-480 | Powerlock connector 480A on board for SS Version |
| | O.G-USP-AR-750 | Powerlock connector 750A on board for SS Version |
|  | O.G-USP-MO-IN-EST | Switch panel with connection bars and cable entry, mounted on the canopy |
|  | O.G-USP-MPT-03 | 5-socket module installed on board, for Gen Sets SS +011 from 275 to 1100 kVA |
|  | O.G-USP-MPT-04 | 9-socket module installed on board, for Gen Sets SS +011 from 275 to 1100 kVA |
| | O.G-USP-SW-MOT.0450-0700 | Motorization switch in switch panel on board machine for Ge from 450/700 Kva- (for variant +11) |
| | O.Q-QBM-BMIN-230V-02 | Additional price for 230V minimum voltage coil on MCCB both on the control panel and on the alternator (check feasibility) |
| | O.Q-QBM-CPI-BEN-01 | Permanent insulation controller for IT networks up to 230V / 400V. BENDER IR423-D4-1. Adjustable threshold 10 ÷ 300 kohm. (2 DIN rail modules - check feasibility) |
| | O.Q-QPA-COM-GC500 | Option with COMAP GC500 controller on board instead of InteliGen 200. |
| | O.Q-QPA-COM-NTCBB | Option with COMAP INTELIGEN controller on board instead of InteliGen 200. |
|  | O.Q-QPA-LOV-RGK900 | Option with LOVATO RGK900 controller on board instead of InteliGen 200. |
|  | O.Q-QPE-485.CONV-LAN | Converter 485/LAN for QPE-C, QLE-B panel |
|  | O.Q-QPE-485.CONV-USB | Converter 485/USB for QPE panel |
| | O.Q-QPE-DIS-MS.01 | MASTER/SLAVE device for QPE panel |
| | O.Q-QPE-INT-CST-CTR-03 | STATUS and TRIP contact of main breaker wired to terminal board inside the QPE panel (275 / 1000KVA) on board (not for variant +010). |
| | O.Q-QPE-K-DIF | Differential protection adjustable for the MC4 |

| | | |
|---|------------------------------|---|
| | O.Q-QPE-MD-QPE-C | GSM remote management modem for QPE panel |
|  | O.Q-QPE-POT-VOLT | Internal potentiometer for voltage regulation - available only for variant +10/+11 |
|  | O.Q-QPE-PR-QPE-C | Remote panel for QPE-C, QLE-B - available only for variant +10/+11 |
|  | O.Q-QPE-QBM-COM-AMF25 | Option with QBM COMAP AMF25 controller on board instead of QPE |
|  | O.Q-QPE-QBM-DSE-7320 | Option with QBM DSE7320 controller on board instead of QPE. |
|  | O.Q-QPE-RIL-16RELE | 16-relay module for QPE panel |
|  | O.Q-QPE-RX8-QPE-C | Start-stop radio control with max. radius 500 mt indoors and 5 km outdoors (for QPE panel). |
|  | O.Q-QPE-SAS-02 | Auto Start-Stop at load request (QPE, QLE panels) |
|  | O.Q-QPE-SCD-01 | Anti-condensation heater inside the panel |
|  | O.Q-QPE-SEL-50-60 | Switch selector 50Hz 400V / 60Hz 480V |
|  | O.Q-QPE-TG-EVO-GPS-2G | Remote management system via LAN/GSM 2G with WEB application and GPS location system |
|  | O.Q-QPE-TG-EVO-GPS-3G | Remote management system via LAN/GSM 3G with WEB application and GPS location system |
|  | O.Q-QPE-TG-QPE-C | Remote management software via LAN for QPE-C, QLE-B panel compatible with Windows XP and 7 |
|  Engine | | |
|  | O.G-MOT-FC-8 | Dust collector filter - for Gen Sets 450/600 kVA |
|  | O.G-MOT-FSA-8 | Fuel/Water Separator Filter - for Gen Sets 450/600 kVA |
|  | O.G-MOT-K-40C-05 | Engine liquids suitable for -40°C ambient temperature for Gen Sets 450/700 kVA |
|  | O.G-MOT-MAG-04 | Dual starter motor for Gen Sets 450/700 kVA (engine configuration to be checked) |



O.G-MOT-PO-02 Oil change pump for Gen Sets 130/700 kVA



O.G-MOT-SC-AC-EL-04 Super hot engine heater 230V with thermostat on board for Gen Sets 275/700 kVA



O.G-MOT-SC-AC-WE-03 Webasto diesel-operated water pre-heater (450/1100 kVA)



O.G-MOT-SE-LR-02 Radiator coolant level sensor from 130 to 700 kVA



O.G-MOT-SRO-AU-50L Automatic oil refilling system (275/700 kVA)

⚙ Handling



O.G-MOV-CO-ST-07 Roadworthy trailer 80km/h (450/700 kVA), registration excluded.



O.G-MOV-KRM-SS-05 Reinforcement kit for mobile installation (dedicated trailers or wheeled machinery) SS Version from 450 to 700 kVA

⚙ ATS Panels



QC3.1250A Separate ATS panel, ABB 1250A motorized change-over (800 kVA 400V) Dim. 80 x 60 x 160 cm - 220 kg. (ex QC3.800)

QCP3.1250A Separate ATS switching panel, with Lovato ATL 610 control unit, for variant +014, ABB motorized change-over 1250A 4P (800kva 400V) and compartment for power cables inlet

⚙ Parallel panels



QP.APM4.1250A APM Automatic Parallel Module Comap IntelliVision5 logic with motorized breaker (1250A) pour gen set from 600 to 800kVA.Dim. cm. 80 x 60 x 190H.

⚙ Exhaust



O.G-SCA-CAT-08 Catalytic converter (600/700 kVA)



O.G-SCA-FAP-K650 Particulate filter (DPF) for Gen Sets 550/650 kVA



O.G-SCA-GF-120 Exhaust bellow with flexible joint including flange and counter flange (275/700 kVA)



O.G-SCA-PF-05 Spark arrestor for Gen Sets 450/700 kVA

⚙ Test



Vari



| | |
|---------------------------|---|
| MS.CP-LT-03 | FAT - Factory Acceptance Test for single Gen Set from 450 to 700 kVA according to our standard procedures in Elcos factory (max 2 hours - max 4 people - max 1 hour of operation) |
| MS.CP-SP-03 | FAT - Factory Acceptance Test for single custom Gen Set from 450 to 700 kVA max 4 operating hours or parallel system up to 4 units for 1 operating hour, in Elcos factory (max 4 hours - max 4 people) |
| MS.CP-ST-03 | FAT - Factory Acceptance Test for single Gen Set from 450 to 700 kVA according to our standard procedures in Elcos factory (max 4 hours - max 4 people - max 2 hour of operation) |
| MS.RF-ST-02 | Noise test report for single Gen Set from 250 to 700 kVA |
| MS.TV-ST-02 | Vibration test on 10 points with certificate for single Gen Set from 275 to 3000 kVA |
| O.G-VAR-CAT-02 | Toolbox for ordinary maintenance. |
| O.G-VAR-PUN-TER-01 | Round earth spike, diam. 20 mm, height 1.5mt, galvanized, complete with clamp and 3m yellow/green cable model FS17 1x35mm ² with cable lugs. |
| O.G-VAR-PUN-TER-02 | Cross-shaped earth spike, height 1.5mt, galvanized, complete with clamp and 3m yellow/green cable model FS17 1x35mm ² with cable lugs. |
| O.G-VAR-TPD-01 | IP 55 document holder |

ЭНЕРГОКОНТИНЕНТ

PRP

Engines of this rating provide unlimited hours of usage in a variable load application. The average load factor should not exceed 70% of the engine's prime power rating with a maximum number of 500 operational hours at 100% prime power rating. An overload capability of 10% is available, however, is limited to a period of 1 in every 12 hours

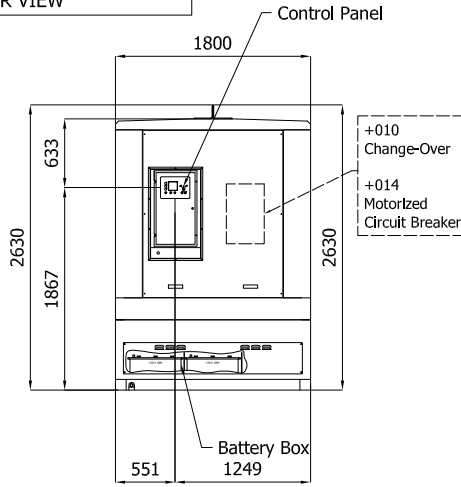
LTP

Limited-time running power is defined as the maximum power available, under the agreed operating conditions, for which the generating set is capable of delivering for up to 500h of operation per year with the maintenance intervals. The overload is not allowed.

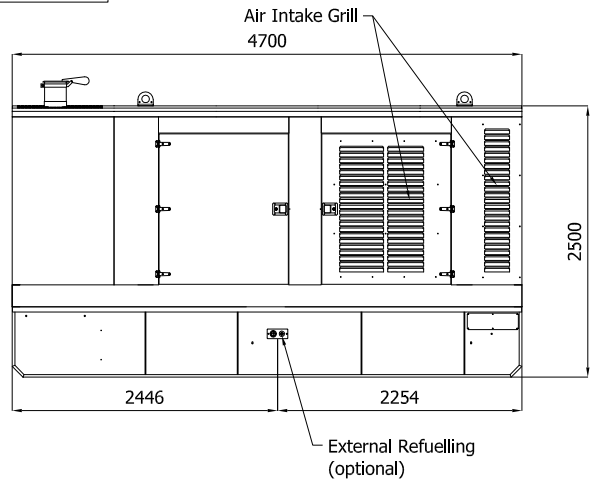
| | | | | | | | | | | | |
|--------|------------|--------------|---------------|---|-------|----------|------|----|--------------|--------------|----------|
| Sheet: | C4700.PROV | SUPER SILENT | Exhaust side: | . | Type: | STANDARD | Rev: | 01 | Last Update: | Oct 14, 2019 | Page 1/2 |
|--------|------------|--------------|---------------|---|-------|----------|------|----|--------------|--------------|----------|

OVERALL DIMENSIONS [mm]

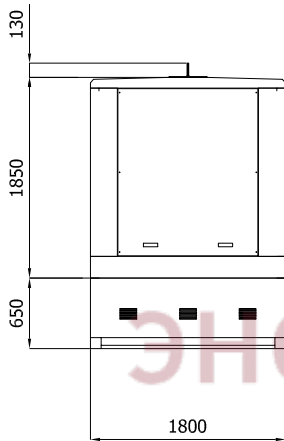
REAR VIEW



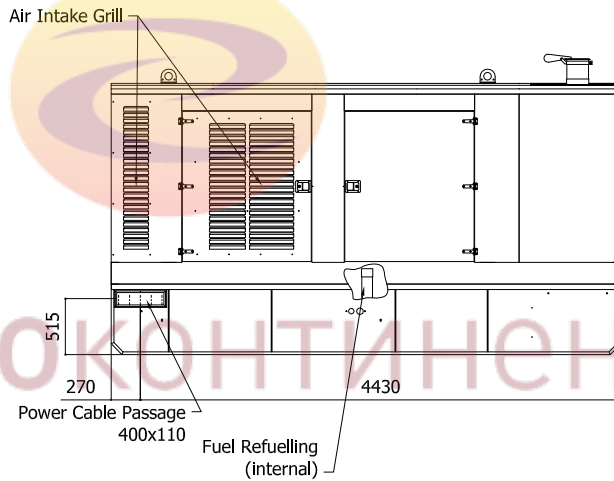
LEFT SIDE VIEW



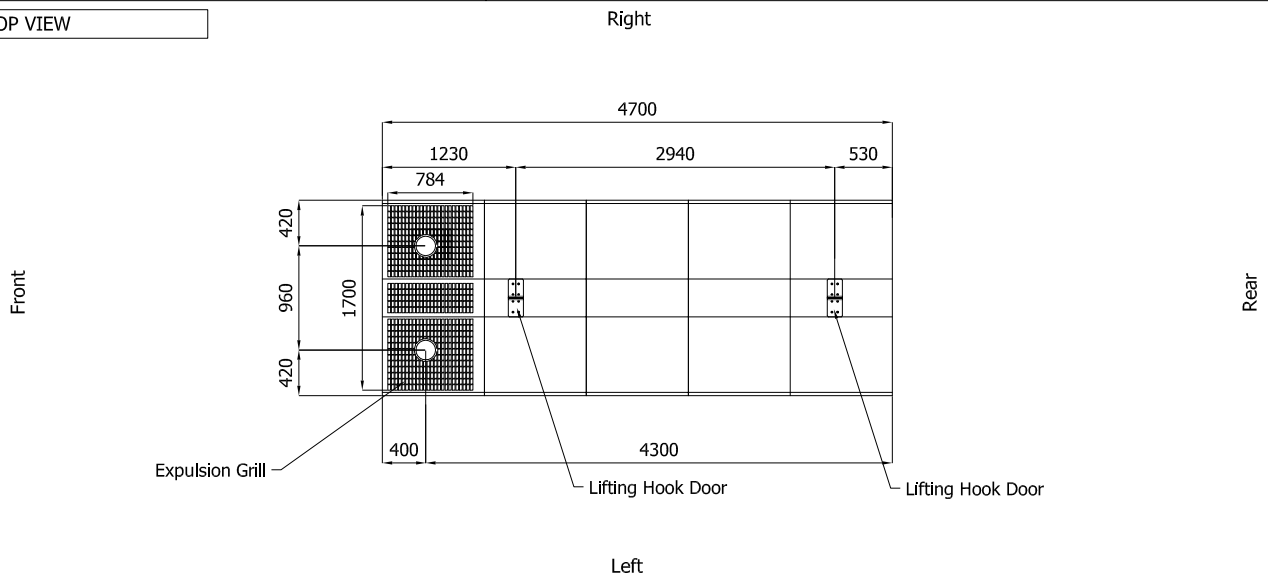
FRONT VIEW



RIGHT SIDE VIEW



TOP VIEW

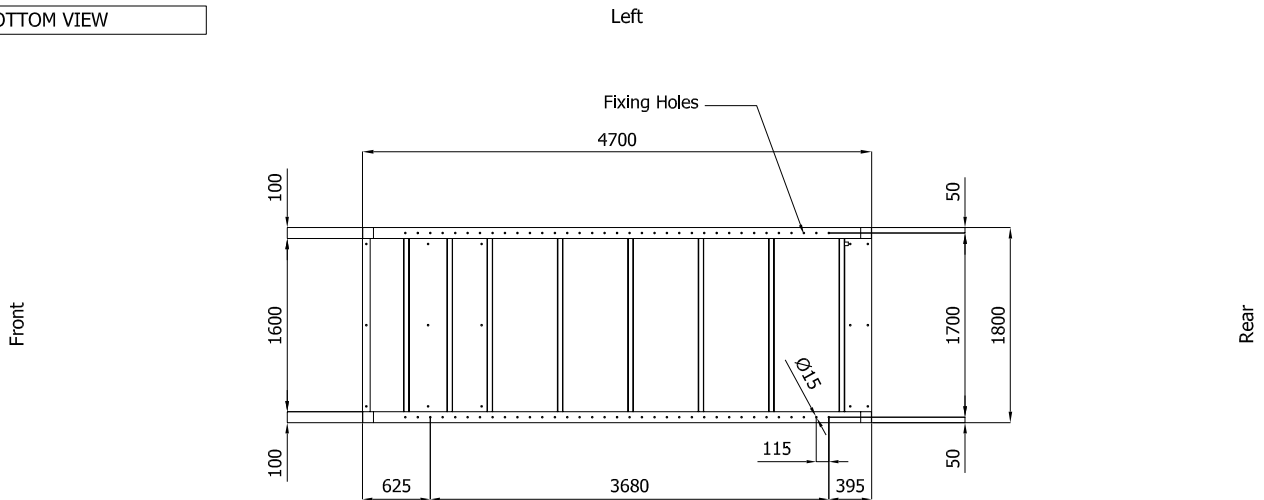


IMPORTANT:

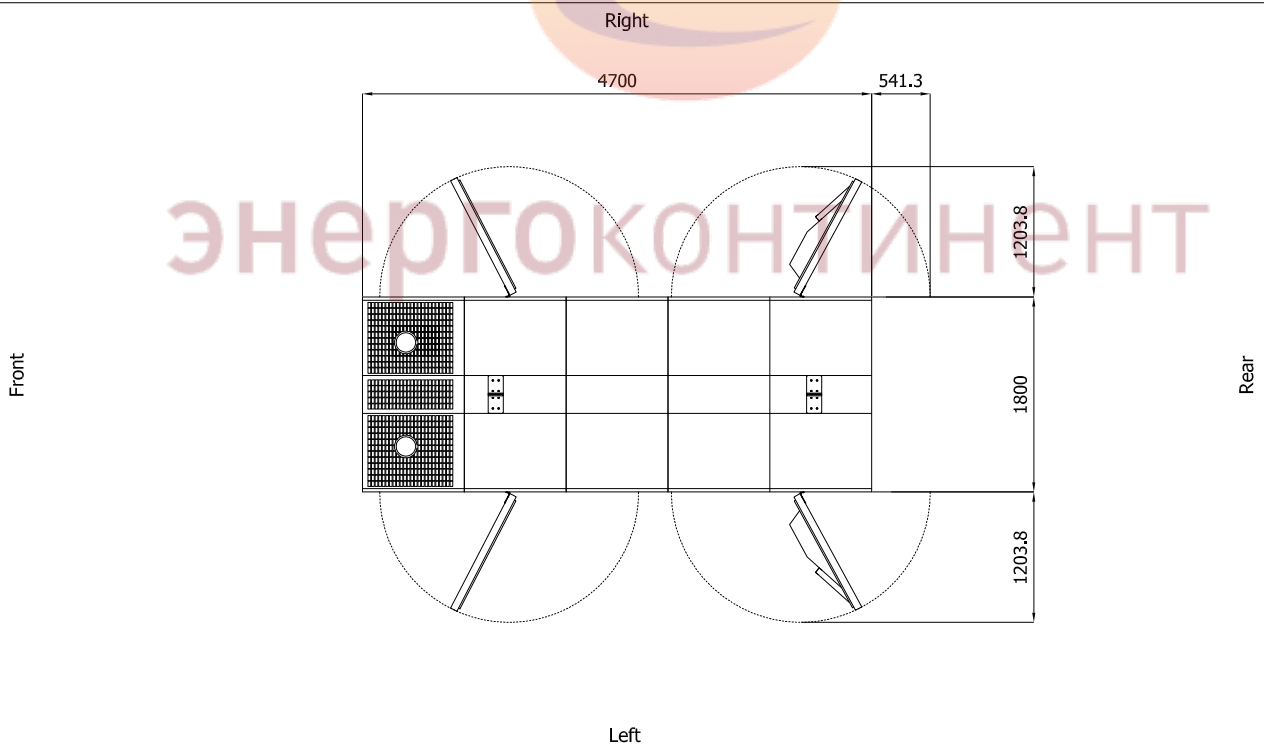
- 1) Form and dimension refer to the generating set on catalogue
- 2) Form and dimension are subject to change in order to update or improve the products
- 3) This document can not be copied or transmitted without ELCOS S.r.l. approval

| | | | | | | | | | | | |
|--------|------------|--------------|---------------|---|-------|----------|------|----|--------------|--------------|----------|
| Sheet: | C4700,PROV | SUPER SILENT | Exhaust side: | . | Type: | STANDARD | Rev: | 01 | Last Update: | Oct 14, 2019 | Page 2/2 |
|--------|------------|--------------|---------------|---|-------|----------|------|----|--------------|--------------|----------|

BOTTOM VIEW



DIMENSIONS WITH OPEN DOORS [mm]



Note: With Lifting-Off Door Solution consider only canopy dimensions.
(Models with "Control Panel" behind rear door will mount a special cover to protect it)

VENTILATION OF THE ROOM

The windows area in the generating set room needs to be (recommended):
Aspiration: 2.20m²
Expulsion: 1.60m²
ATTENTION: for a correct ventilation the expulsion air and the exhaust gas needs to be conveyed in the open-air

- IMPORTANT:**
- 1) Form and dimension refer to the generating set on catalogue
 - 2) Form and dimension are subject to change in order to update or improve the products
 - 3) This document can not be copied or transmitted without ELCOS S.r.l. approval